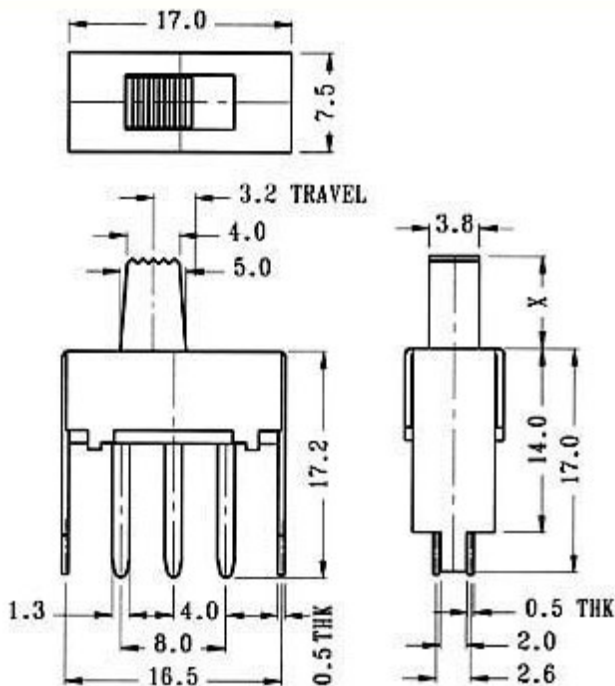


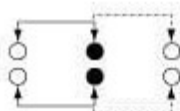
SS-22F54

Optional knob type

GA	GE	UB	GD	TA	AT
NY	MX				



CIRCUIT DIAGRAM



SPECIFICATIONS

Rating: 0.5A 50V DC

Function: 2P2T

NON-SHORTING