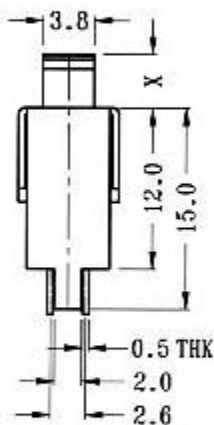
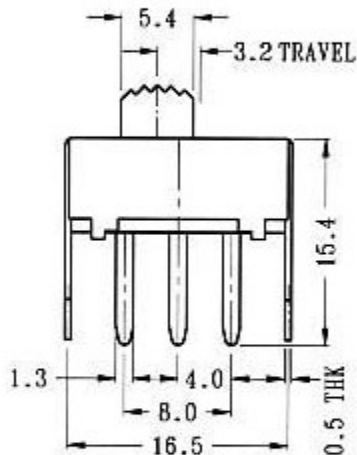
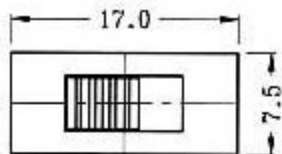


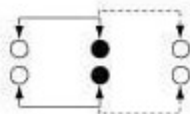
SS-22F48

Optional knob type

| | | | | | |
|----|----|----|----|----|----|
| TA | UB | GA | AT | NY | GD |
| GE | MX | | | | |



CIRCUIT DIAGRAM



SPECIFICATIONS

Rating: 0.5A 50V DC
Function: 2P2T

NON-SHORTING