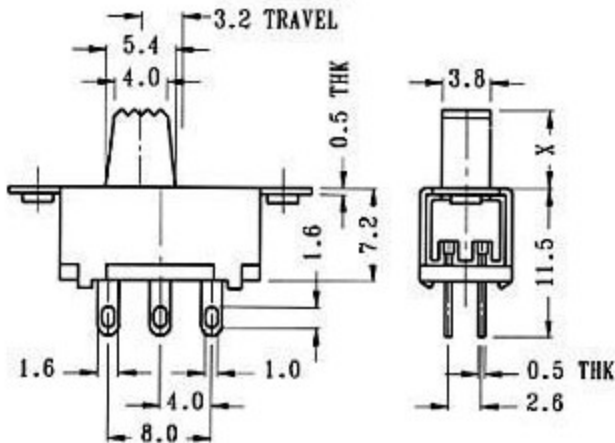
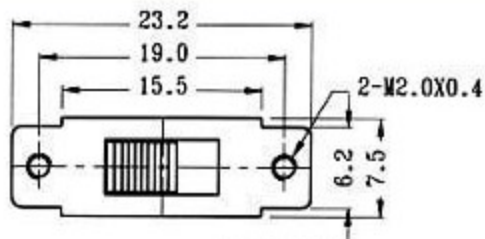


## SS-22F39

Optional knob type

GA	GE	GD	TA	AT	NY
MX	UB				



**CIRCUIT DIAGRAM**

**SPECIFICATIONS**

**N** NON-SHORTING



Rating: 0.5A 50V DC  
Function: 2P2T