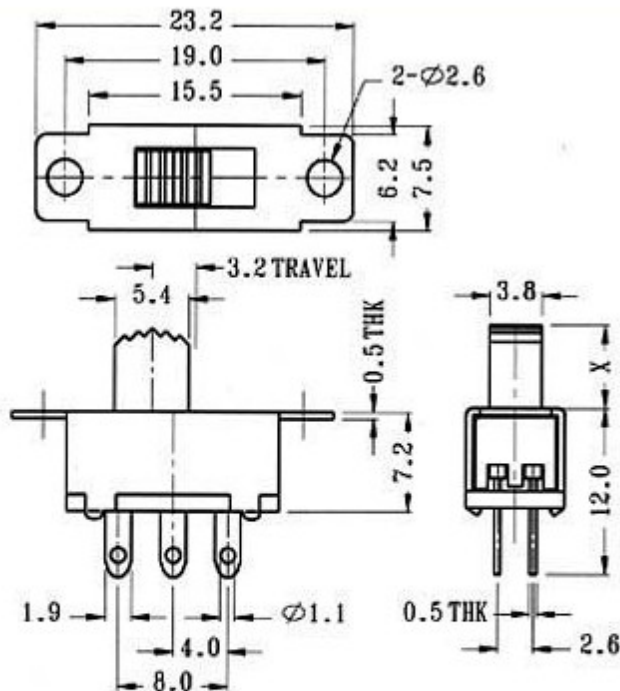


SS-22F34

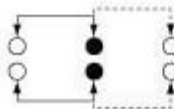


GA	GE	GD	TA	AT	NY
MX	UB				

CIRCUIT DIAGRAM

SPECIFICATIONS

NON-SHORTING



Rating: 0.5A 50V DC
Function: 2P2T