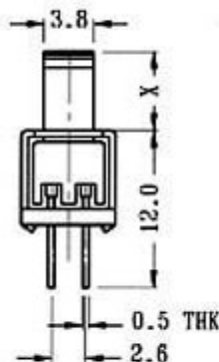
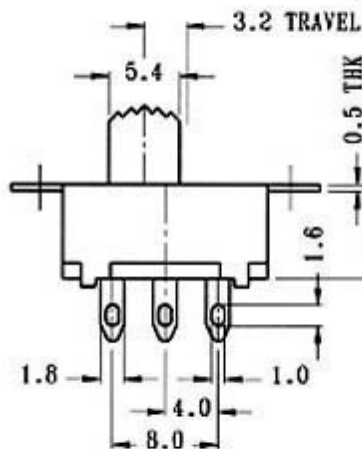
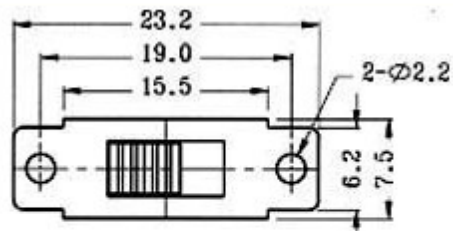


SS-22F31

Optional knob type

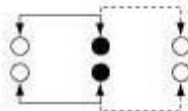
GA	GE	GD	TA	AT	NY
MX	UB				



CIRCUIT DIAGRAM

SPECIFICATIONS

NON-SHORTING



Rating: 0.5A 50V DC

Function: 2P2T