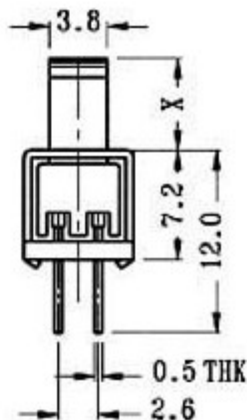
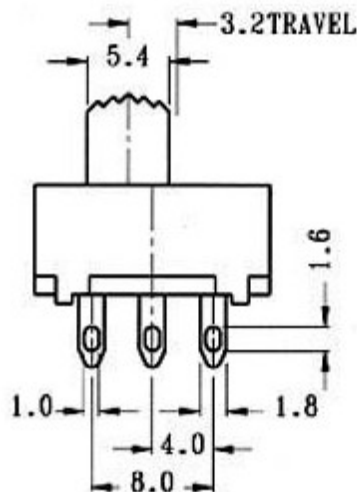
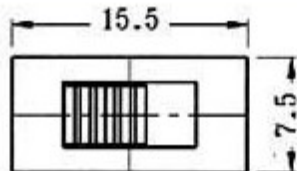


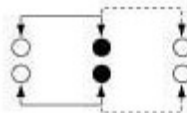
SS-22F30

Optional knob type

GA	GE	GD	TA	AT	NY
MX	UB				



CIRCUIT DIAGRAM



SPECIFICATIONS

Rating: 0.5A 50V DC
Function: 2P2T

NON-SHORTING