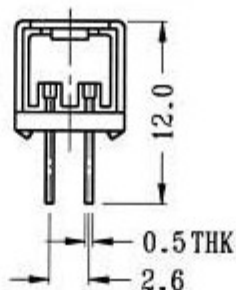
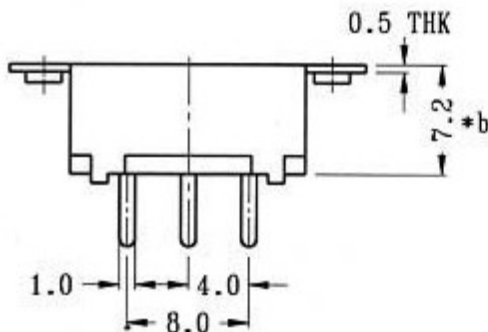
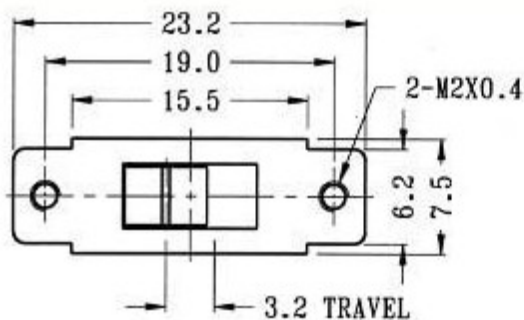


SS-22F29

Optional knob type

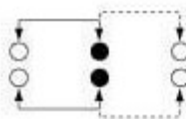
GA	GD	TA	AT	NY	MX
UB					



CIRCUIT DIAGRAM

SPECIFICATIONS

N NON-SHORTING



Rating: 0.5A 50V DC

Function: 2P2T