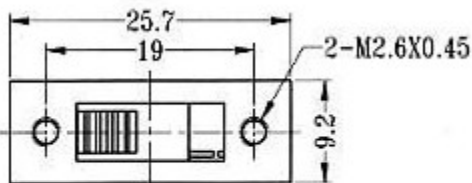
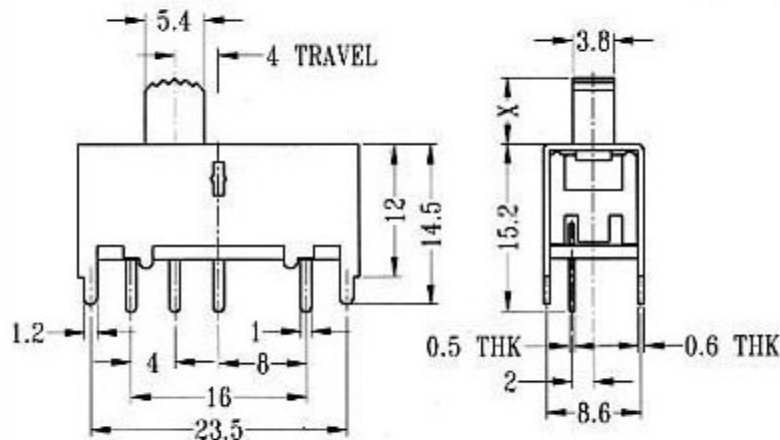


SS-13H12



Optional knob type

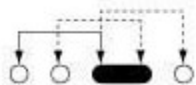
MX	AY	NT	CD		



CIRCUIT DIAGRAM

SPECIFICATIONS

⊗ SHORTING



Rating: 0.3A 50V DC

Function: 1P3T