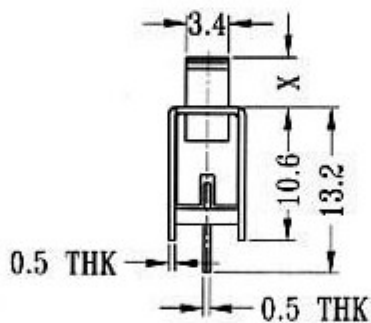
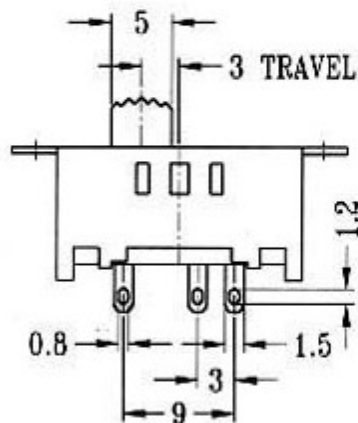
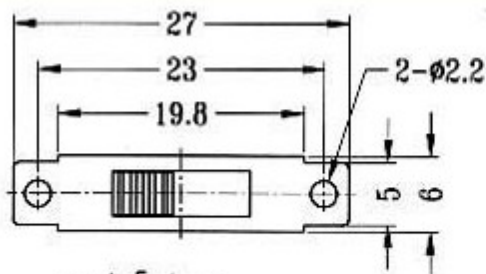


SS-13F17

Optional knob type

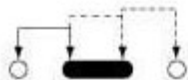
GD				
----	--	--	--	--



CIRCUIT DIAGRAM

SPECIFICATIONS

N NON-SHORTING



Rating: 0.3A 50V DC
Function: 1P3T