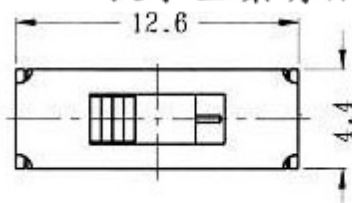
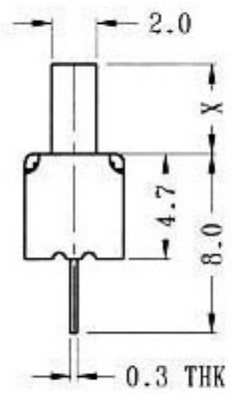
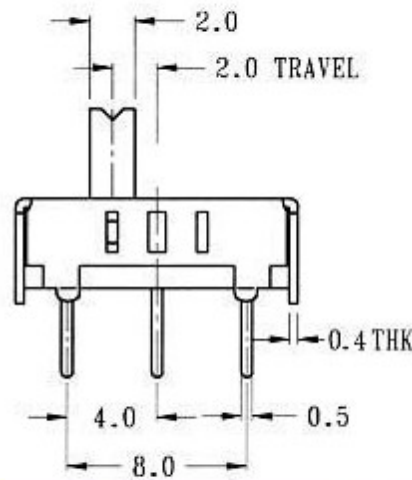


SS-13D02



Optional knob type

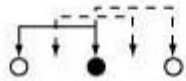
VA	GE				



CIRCUIT DIAGRAM

SPECIFICATIONS

⚡ SHORTING



Rating : 0.3A 50V DC
Function: 1P3T