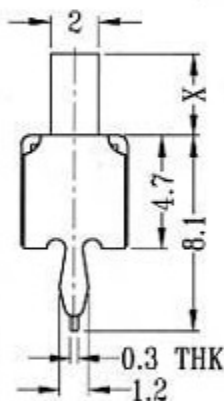
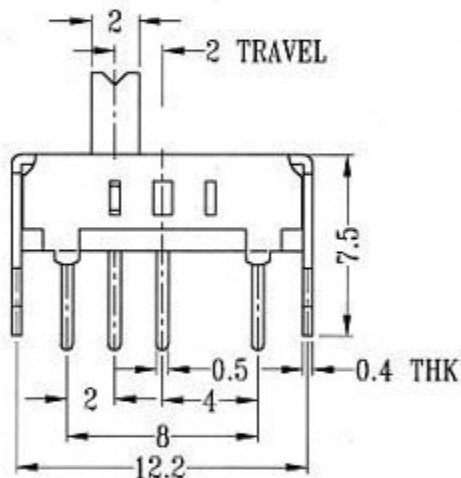
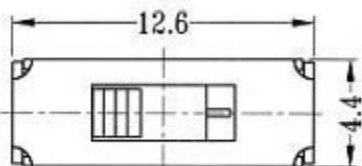


SS-13D01

Optional knob type

VA	GE				



CIRCUIT DIAGRAM

SPECIFICATIONS

SHORTING



Rating : 0.3A 50V DC
Function: 1P3T