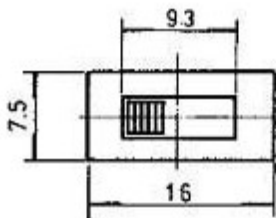
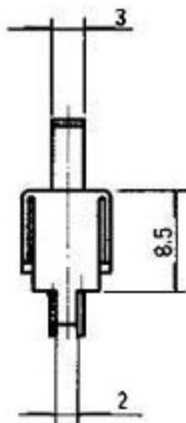
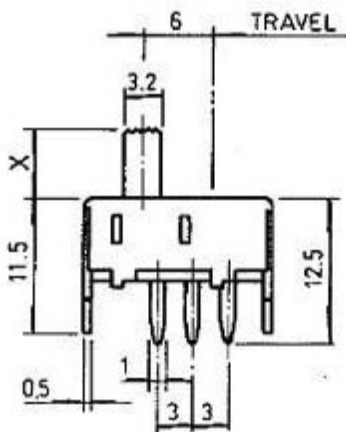


SS-12L04



Optional knob type

GE					



CIRCUIT DIAGRAM

SPECIFICATIONS

N NON-SHORTING



Rating : 0.5A 50V DC
Function: 1P2T