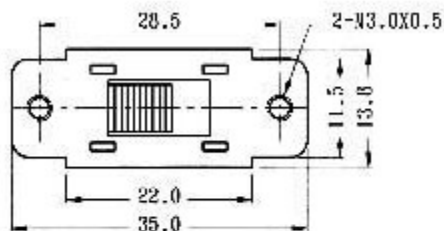
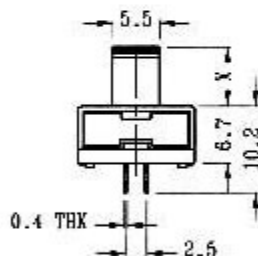
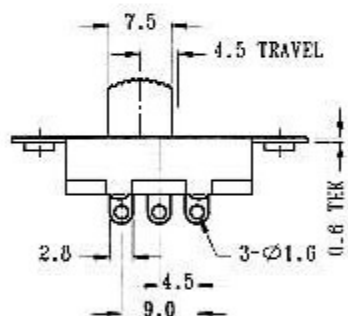


## SS-12I06



Optional knob type


GD				



**CIRCUIT DIAGRAM**



**SPECIFICATIONS**

 NON-SHORTING

Rating : 1.5A 250V AC  
Function: 1P2T