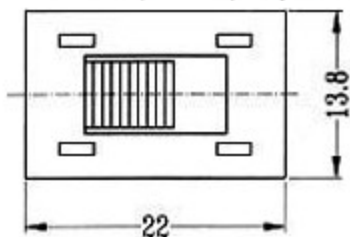
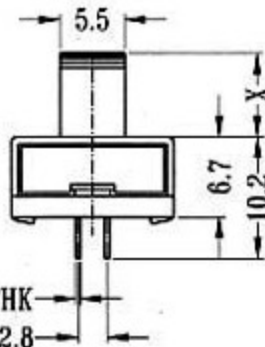
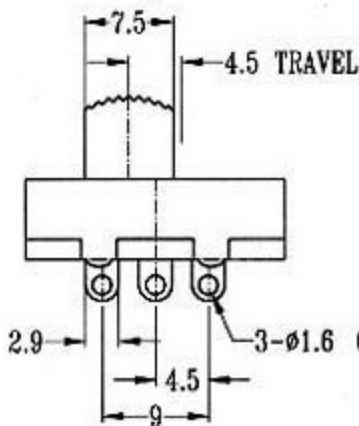


SS-12I04



Optional knob type

GD					



CIRCUIT DIAGRAM



SPECIFICATIONS

N NON-SHORTING

Rating : 1.5A 250V AC

Function: 1P2T