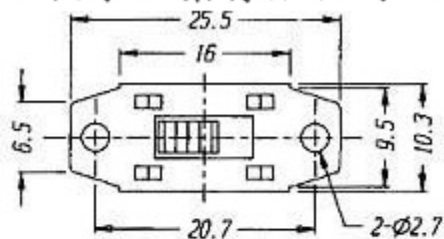
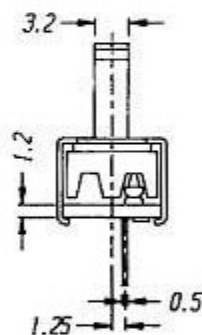
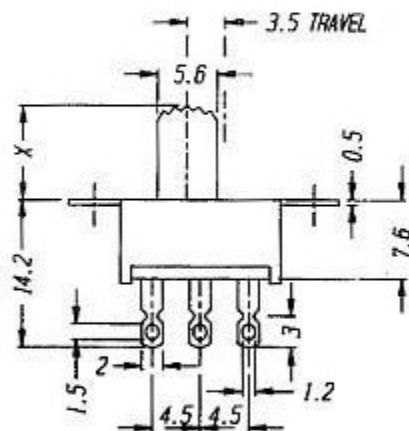


# SS-12G18



Optional knob type

VG	GD				



**CIRCUIT DIAGRAM**

**SPECIFICATIONS**

**NON-SHORTING**

Rating : 1A 125V AC  
Function: 1P2T

