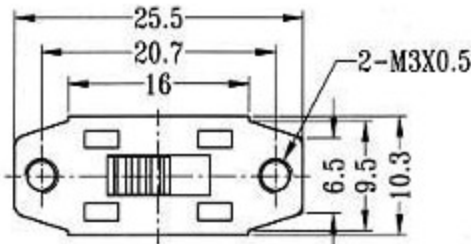
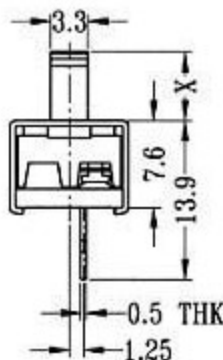
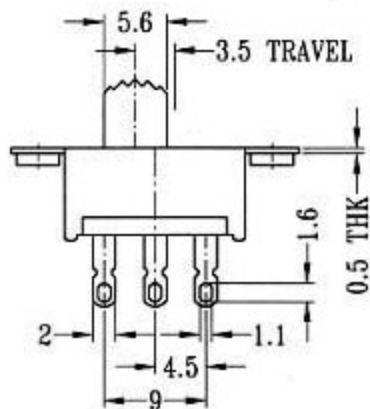


SS-12G10



Optional knob type

VG	GD				



CIRCUIT DIAGRAM

SPECIFICATIONS

N NON-SHORTING



Rating : 1A 125V AC
Function: 1P2T