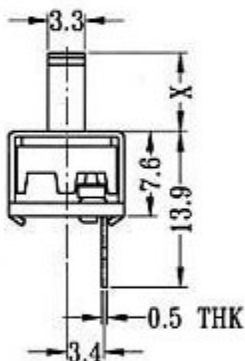
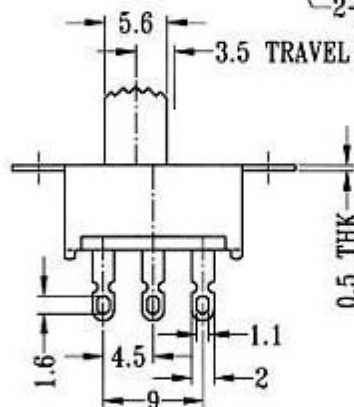
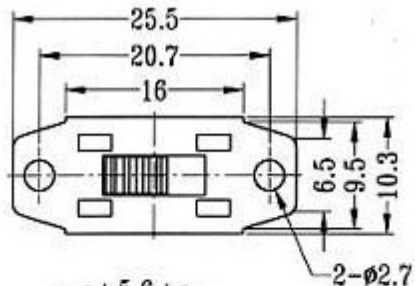


# SS-12G08

Optional knob type

|    |    |  |  |  |  |
|----|----|--|--|--|--|
| VG | GD |  |  |  |  |
|    |    |  |  |  |  |



## CIRCUIT DIAGRAM

## SPECIFICATIONS

**N** NON-SHORTING



Rating : 1A 125V AC  
Function: 1P2T