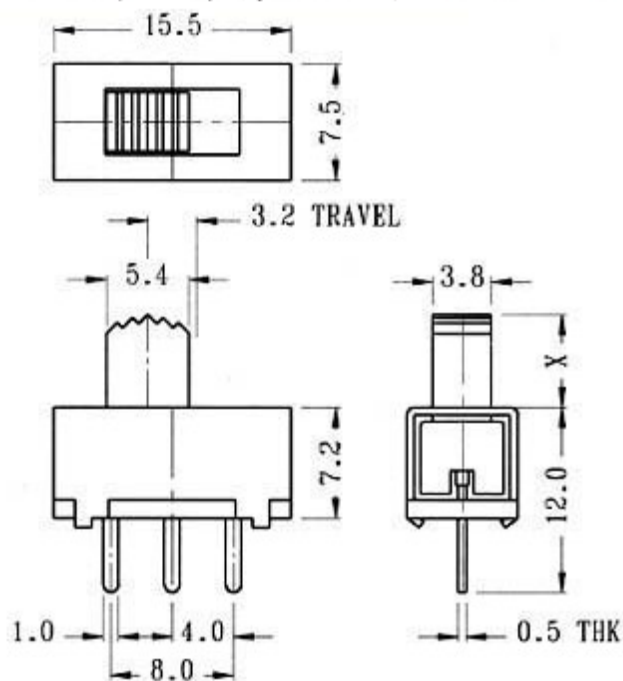


# SS-12F98

Optional knob type

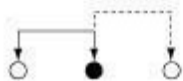
GE	GD	GA			



**CIRCUIT DIAGRAM**

**SPECIFICATIONS**

**N** NON-SHORTING



Rating : 0.5A 50V DC  
Function: 1P2T