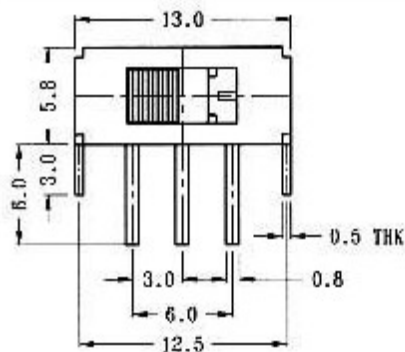
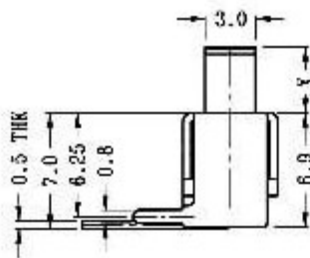
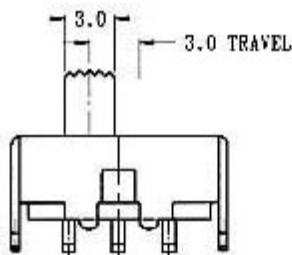


## SS-12F90




Optional knob type

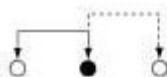
GE	VA	AT	NY	GD	GA



**CIRCUIT DIAGRAM**

**SPECIFICATIONS**

 NON-SHORTING



Rating : 0.5A 50V DC  
Function: 1P2T