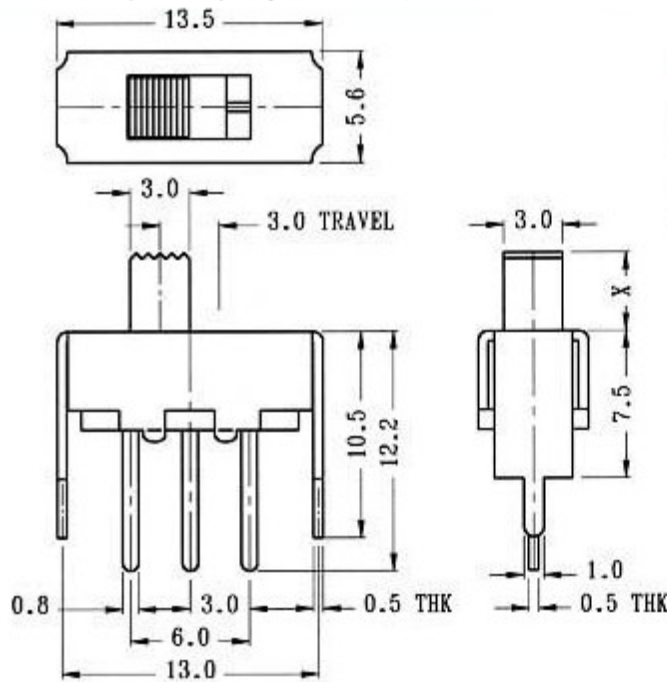


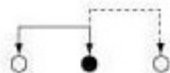
SS-12F87

Optional knob type

GE	VA				



CIRCUIT DIAGRAM



SPECIFICATIONS

Rating : 0.5A 50V DC
Function: 1P2T

- NON-SHORTING
- SHORTING