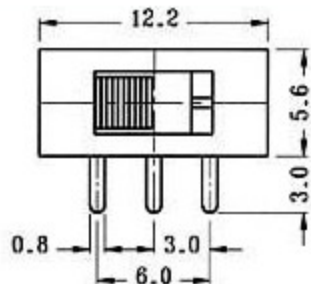
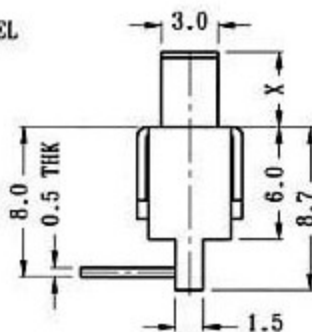
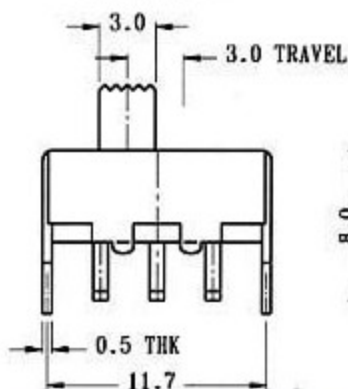


SS-12F81



Optional knob type

GE	VA	AT	NY		



CIRCUIT DIAGRAM

SPECIFICATIONS

NON-SHORTING



Rating : 0.5A 50V DC
Function: 1P2T