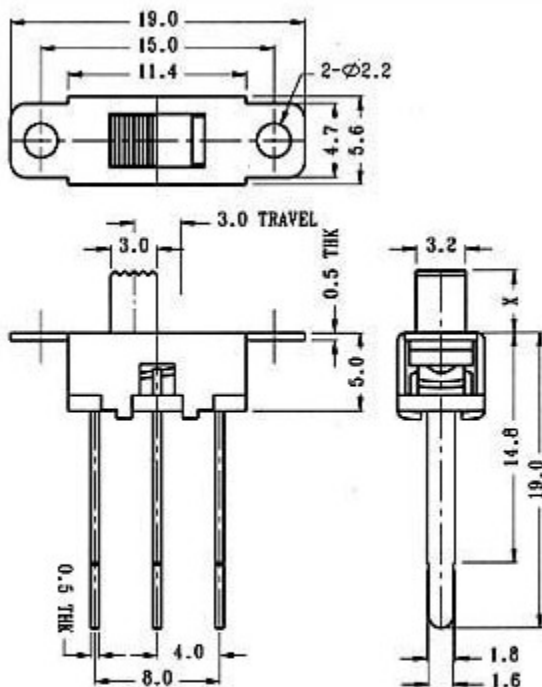


## SS-12F73

Optional knob type

GE	VA				



**CIRCUIT DIAGRAM**



**SPECIFICATIONS**

Rating : 0.5A 50V DC  
Function: 1P2T

**N** NON-SHORTING