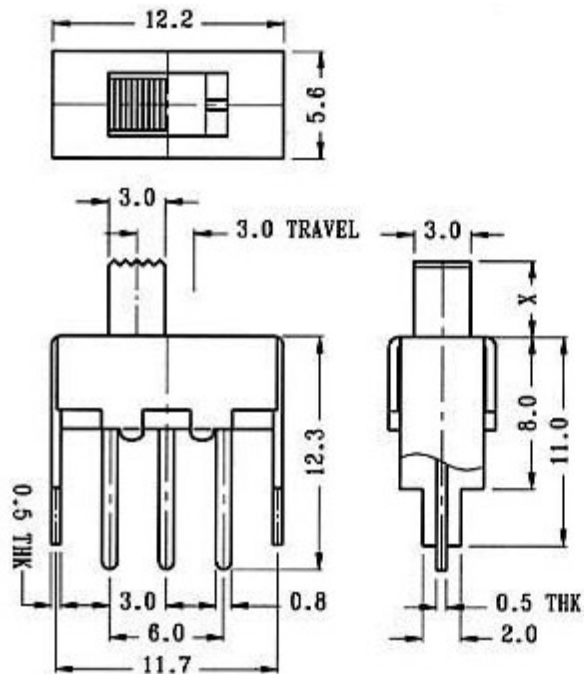


SS-12F68

Optional knob type

GE	VA	AT	NY		



CIRCUIT DIAGRAM



SPECIFICATIONS

Rating : 0.5A 50V DC
Function: 1P2T

NON-SHORTING