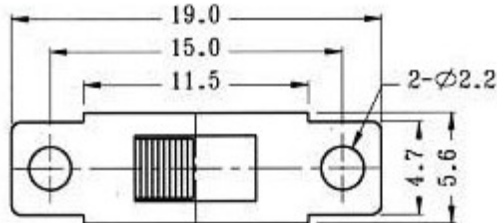
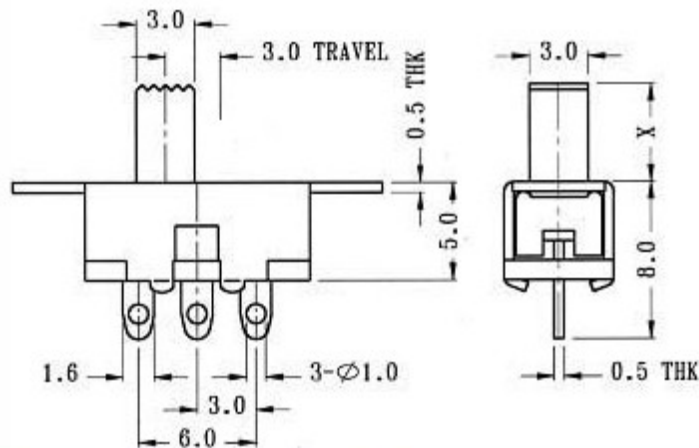


# SS-12F60



Optional knob type

GE	VA				



**CIRCUIT DIAGRAM**

**SPECIFICATIONS**

**NON-SHORTING**



Rating : 0.5A 50V DC

Function: 1P2T