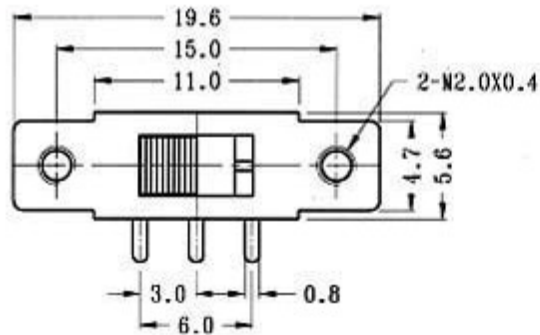
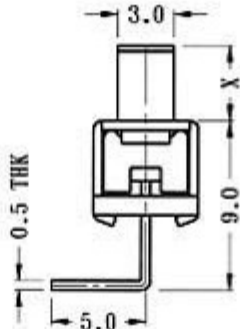
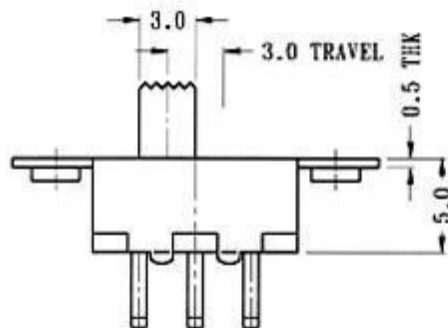


SS-12F106



Optional knob type

GE	GD	GA			



CIRCUIT DIAGRAM

SPECIFICATIONS

SHORTING

NON-SHORTING



Rating : 0.5A 50V DC

Function: 1P2T