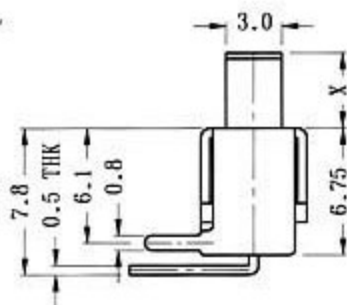
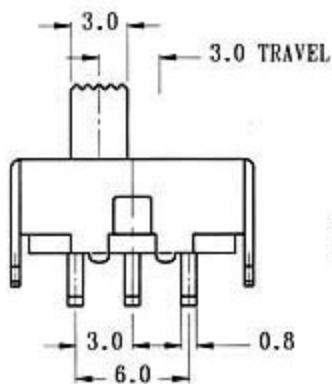
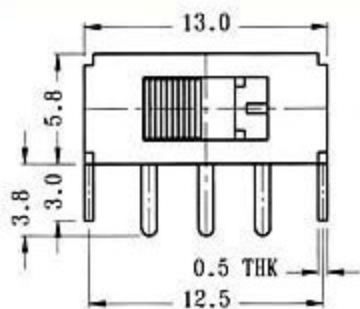


## SS-12F103



Optional knob type

GE	GD	GA	VA	AT	NY

**CIRCUIT DIAGRAM**

**SPECIFICATIONS**

**N** NON-SHORTING



Rating : 0.5A 50V DC

Function: 1P2T