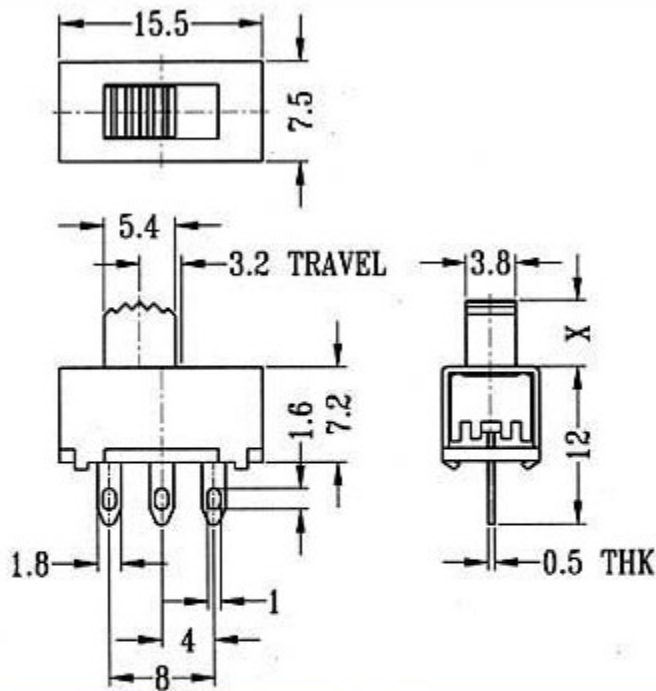


SS-12F01

Optional knob type

| | | | | | |
|----|----|----|----|----|----|
| AT | GA | GD | GE | TA | NT |
| MX | | | | | |



CIRCUIT DIAGRAM



SPECIFICATIONS

Rating : 0.5A 50V DC
Function: 1P2T

N NON-SHORTING