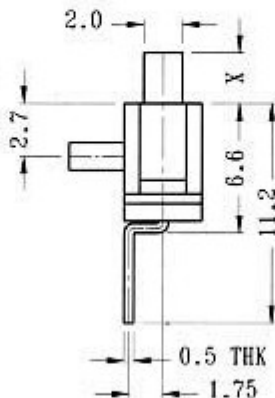
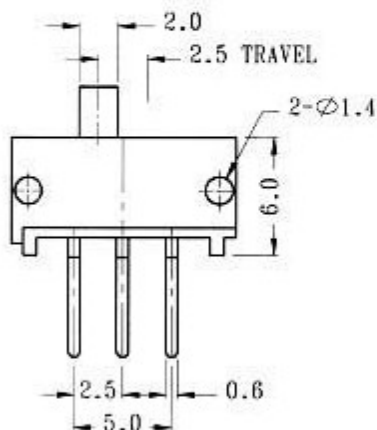
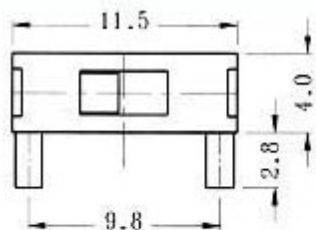


## SS-12E08

Optional knob type

TA					



**CIRCUIT DIAGRAM**



**SPECIFICATIONS**

Rating : 0.3A 50V DC

Function: 1P2T

 SHORTING