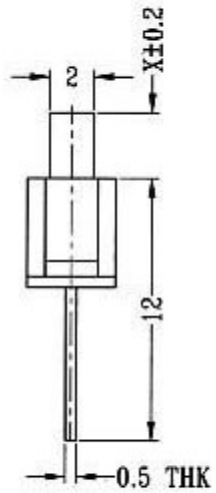
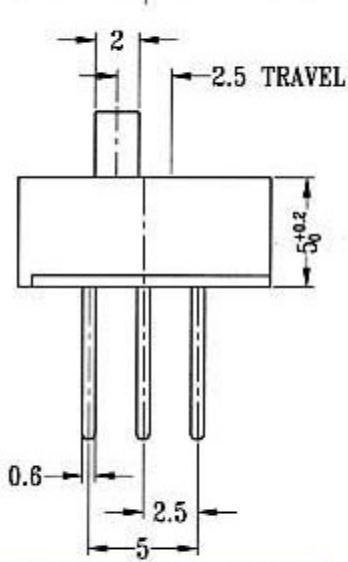
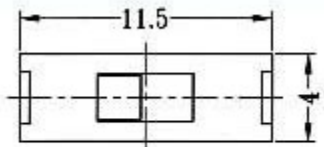


SS-12E07

Optional knob type

TA					



CIRCUIT DIAGRAM



SPECIFICATIONS

Rating : 0.3A 50V DC
Function: 1P2T

N NON-SHORTING