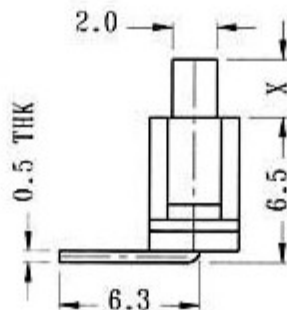
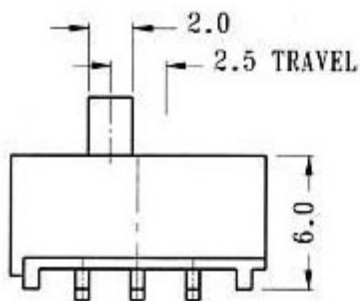
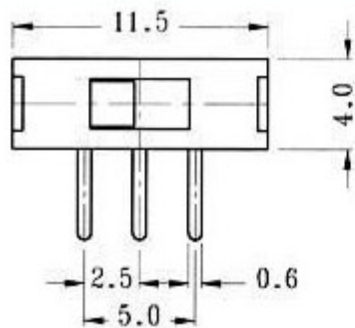


SS-12E06

Optional knob type

TA				



CIRCUIT DIAGRAM



SPECIFICATIONS

Rating : 0.3A 50V DC
Function: 1P2T

Ⓢ SHORTING