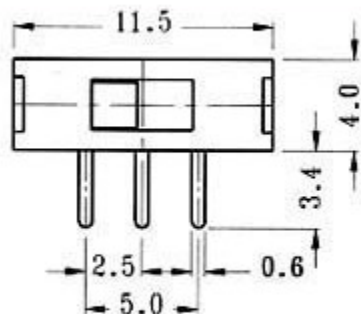
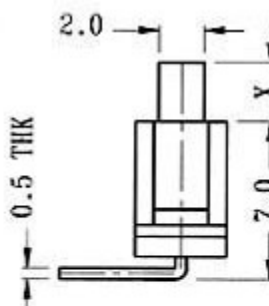
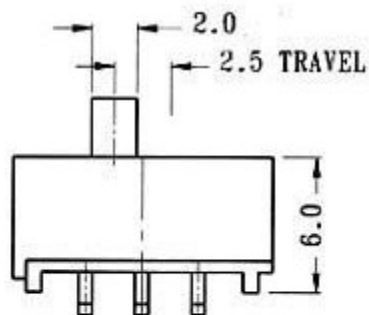


SS-12E04



Optional knob type

TA				



CIRCUIT DIAGRAM

SPECIFICATIONS

⊞ SHORTING



Rating : 0.3A 50V DC
Function: 1P2T