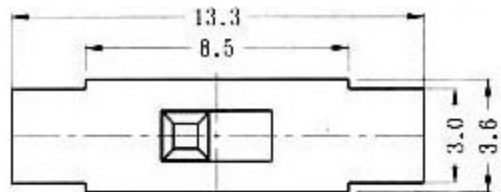
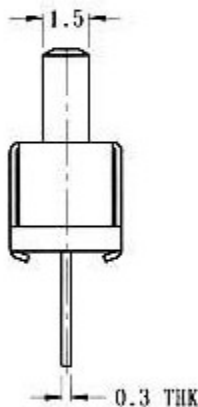
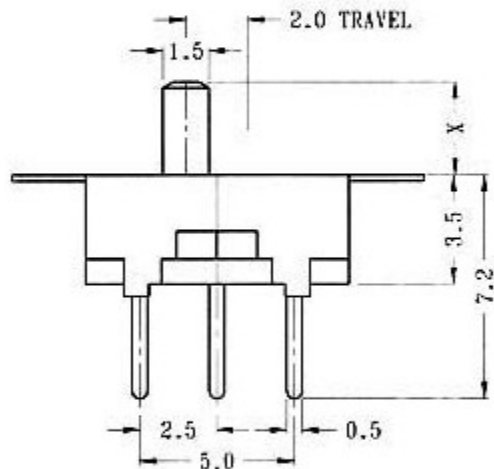


SS-12D21



Optional knob type

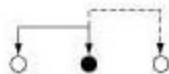
TB				



CIRCUIT DIAGRAM

SPECIFICATIONS

NON-SHORTING



Rating : 0.3A 50V DC

Function: 1P2T