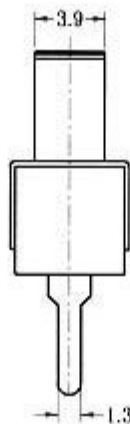
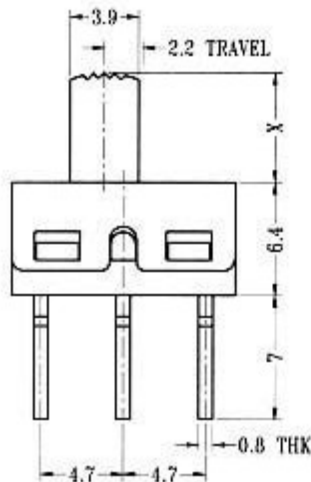
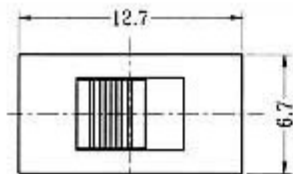


SS-12D10

Optional knob type

GD	GE				



CIRCUIT DIAGRAM



SPECIFICATIONS

Rating : 2A 125V AC
Function: 1P2T

N NON-SHORTING