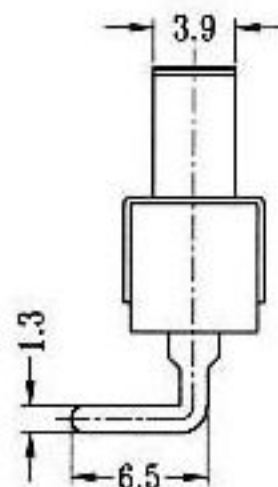
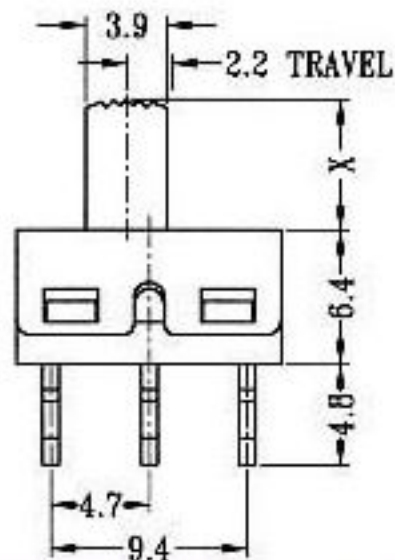
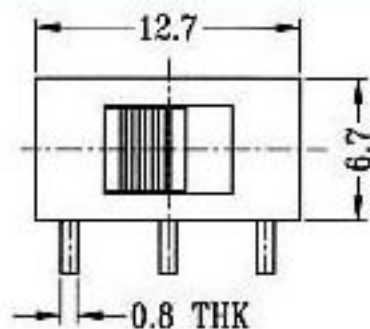


## SS-12D06

Optional knob type

GD	GE				



**CIRCUIT DIAGRAM**



**SPECIFICATIONS**

Rating : 2A 125V AC  
Function: 1P2T

**N** NON-SHORTING