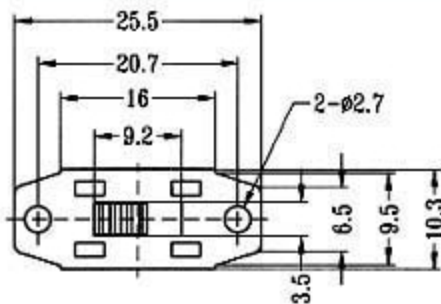
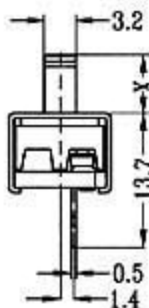
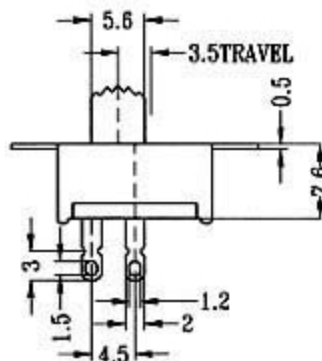


## SS-11G18



GX				



### CIRCUIT DIAGRAM



### SPECIFICATIONS

Rating : 0.5A 12V DC

Function: 1P1T