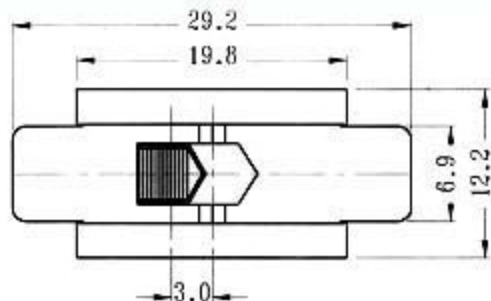
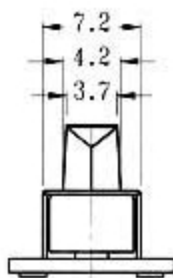
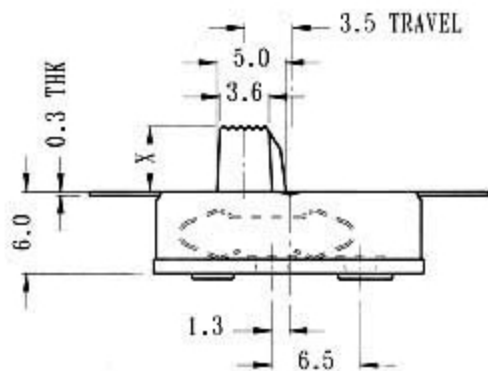


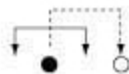
SS-11G09



GX				



CIRCUIT DIAGRAM



SPECIFICATIONS

Rating : 0.5A 12V DC
Function: 1P1T