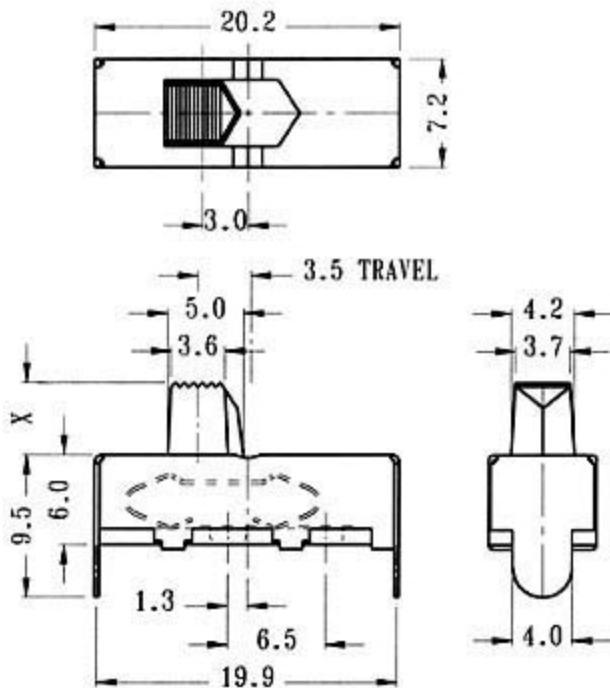


## SS-11G06

Optional knob type

GX					



**CIRCUIT DIAGRAM**



**SPECIFICATIONS**

Rating : 0.5A 12V DC

Function: 1P1T