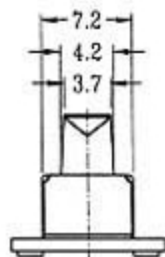
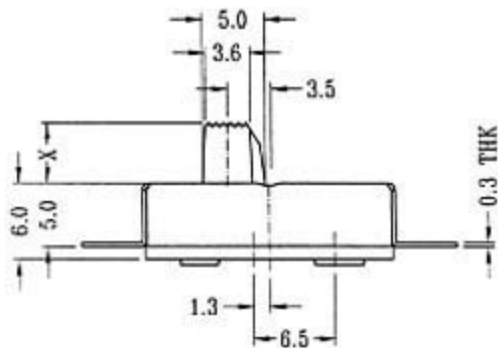
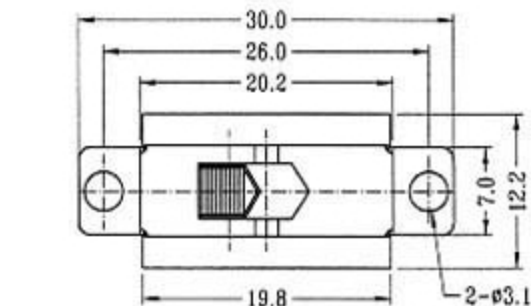


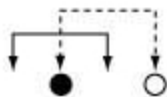
SS-11G02

Optional knob type

GX					
----	--	--	--	--	--



CIRCUIT DIAGRAM



SPECIFICATIONS

Rating : 0.5A 12V DC

Function: 1P1T