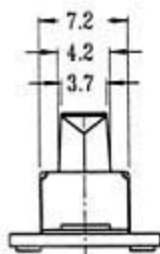
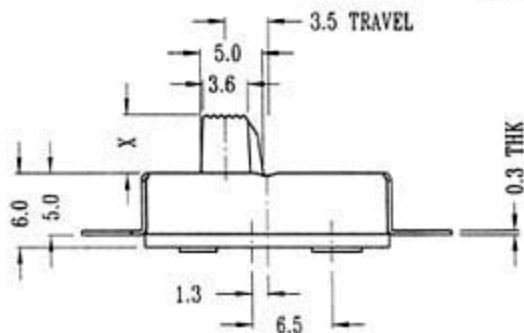
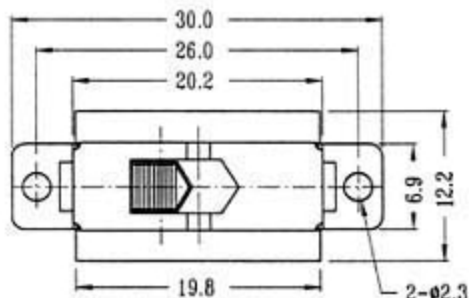


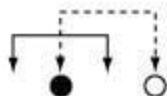
SS-11G01

Optional knob type

GX					



CIRCUIT DIAGRAM



SPECIFICATIONS

Rating : 0.5A 12V DC

Function: 1P1T