

APPROACH - Sliding Switch / Circuit Breaker SS-003 Series

Features

- Trip-free, cycling.
- Unique Sliding Switch Design.
- Standard rating : 3 to 15 amp AC 125V & 250V, 32VDC (UL, CUL) or welcome customer design.
- Provides power switching with circuit protection inside.
- Various color, termination and marking for Available.

Typical Applications

Motors, Transformers, Household and office machines, Instrumentation, Surge protectors, Power centers.

International Patent

TAIWAN. CHINA. USA. JAPAN. KOREA.

Safety Approvals



Technical Data

Electrical Data @25°C

Calibration:

Will continuously carry 100% of rating, must trip at 150% of rating within one hour at + 25°C.

Dielectric Strength:

Withstands 1500VAC at 60Hz for 60 seconds Between all electrically isolated terminals.

Insulation Resistance:

Not less than 100 megohms at 500VDC. Maximum Operating Voltages:125 or 250VAC, 50/60Hz.(model dependent)

Endurance:

6,000 operations at a rate of 6 operations per minute. (full rated current)

Ambient operation:

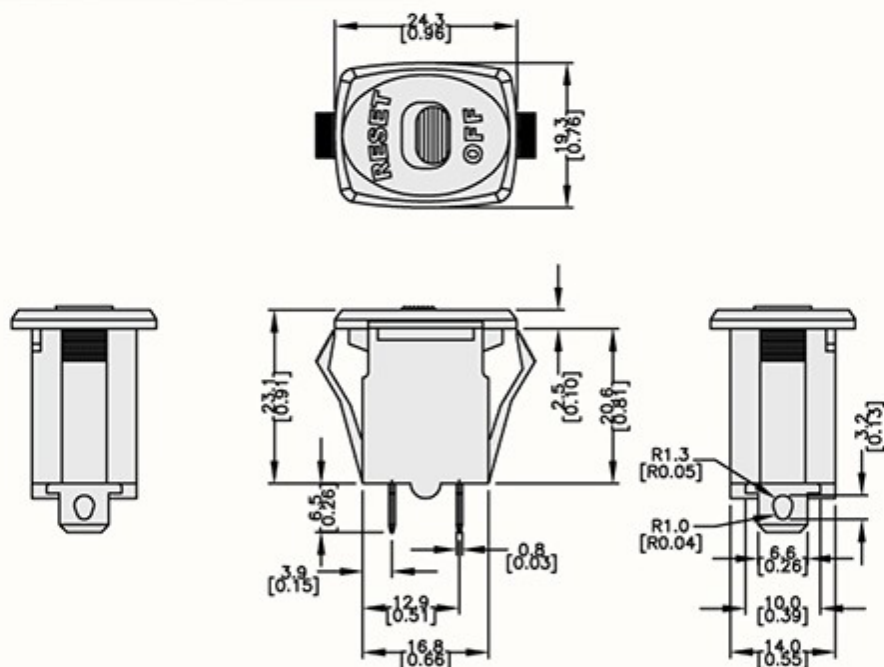
Operates normally in temperatures between 0°C to + 65°C.



Ordering Information

CA S A F U B 1 X 9 W 1 - 02										
↑	↑	↑	↑	↑	↑	↑	↑	↑	↑	↑
Customer Number										
Reset Plate Color Category										
1 : White #1										
Reset Plate Color Option										
W : White										
Sliding Button Color Category										
9 : Red										
Sliding Button Color Option										
X : Red										
Housing Color Category										
1 : Black										
Housing Color Option										
B : Black										
Housing Style										
U : Tubbiness(Normal) K : Tubbiness(Fireproof)										
Current Rating										
F : 15 Amp										
Voltage & Thickness of Ag										
A : AC 125V 0.2mm C : AC 250V 0.2mm										
Terminal Style Option										
S : Short L : Long										
Product Code										
CA : SS-003										

Outline Dimensions



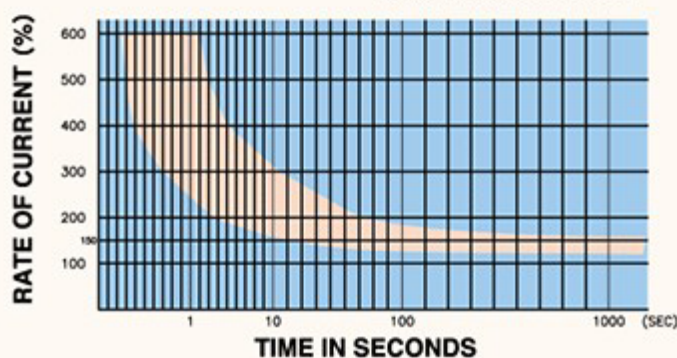
Internal Connection Diagram



Time VS. Current Trip Curve @+25°C

CURRENT LEVEL (% OF RATED)	TRIP TIME
100%	NO TRIP
150%	TRIP IN 1 HOUR
200%	3.5 ~ 70 SEC.
300%	0.7 ~ 14 SEC.
400%	0.35 ~ 5.0 SEC.
500%	0.3 ~ 2.9 SEC.
600%	0.25 ~ 2.0 SEC.

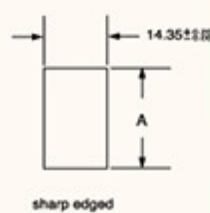
(Ambient Temperature at 25°C)



Ambient Compensation Table

Ambient Temperature in °C	Rating Correction Factor
	3A~15A Models
0	x 1.2
10	x 1.1
20	x 1.05
25	x 1
30	x 0.9
40	x 0.8
50	x 0.7
65	x 0.55

Suggested Mounting Hole



THICKNESS	DIMENSION(A)
0.8~1.0	20.5 ± 0.1
1.1~1.4	21.1 ± 0.1
1.5	21.6 ± 0.1