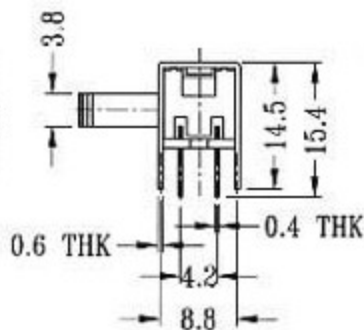
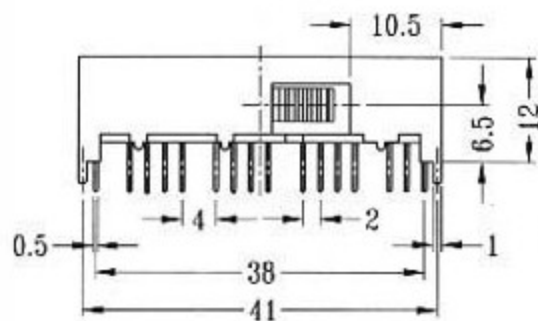
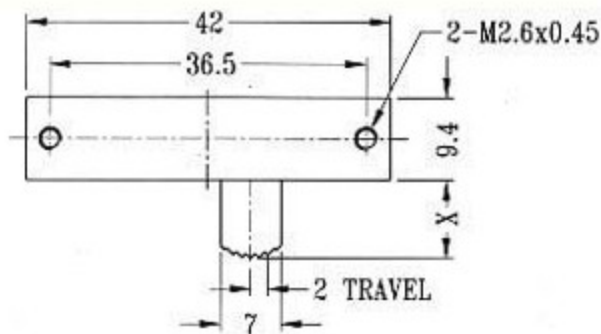


SK-82D02 (L1R3)
SK-82D08 (L1R3)

Optional knob type

GD	GE	MX			



CIRCUIT DIAGRAM

SPECIFICATIONS



Rating : 0.3A 50V DC

Function : 8P2T