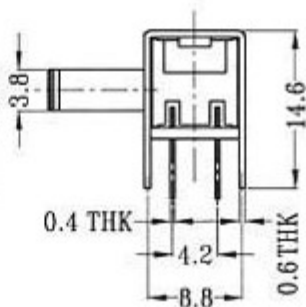
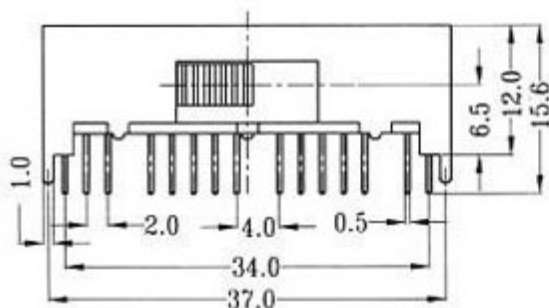


**SK-64D01** (L3R2)

Optional knob type

GD	MX				



**CIRCUIT DIAGRAM**

**SPECIFICATIONS**

↻ SHORTING



Rating : 0.3A 50V DC

Function : 6P4T