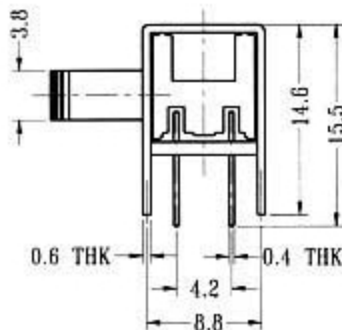
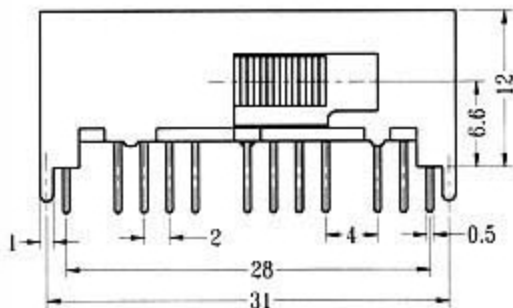
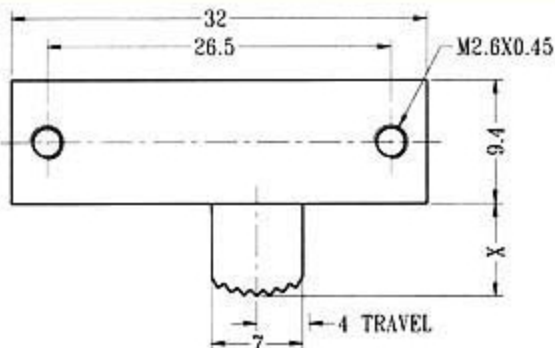


SK-62H12 (L1R3)

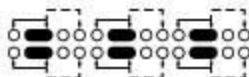
Optional knob type

MX	GD				



CIRCUIT DIAGRAM

SPECIFICATIONS



Rating : 0.3A 50V DC
Function : 6P2T