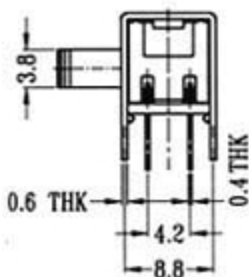
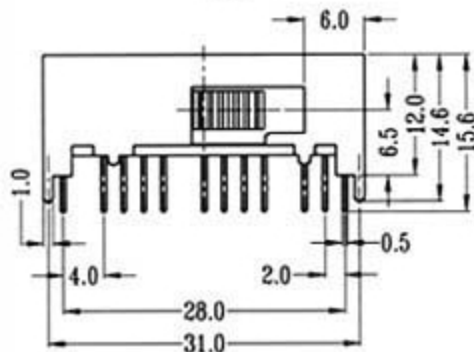


SK-62H11 (L1R3)

Optional knob type

GD	GE	MX			



CIRCUIT DIAGRAM

SPECIFICATIONS



Rating : 0.3A 50V DC
Function : 6P2T