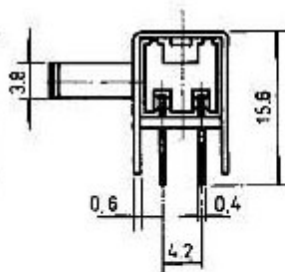
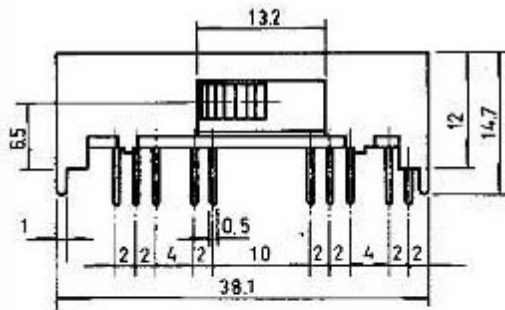
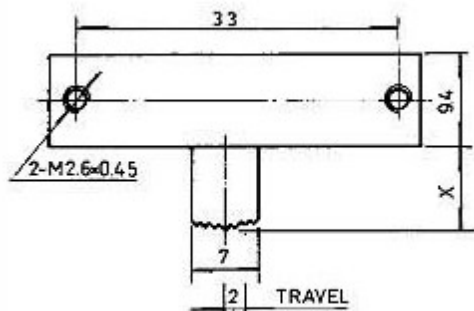


SK-44D01 (L3R2)

Optional knob type

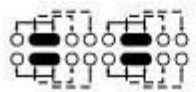
MX	GD				



CIRCUIT DIAGRAM

SPECIFICATIONS

⊗ SHORTING



Rating : 0.3A 50V DC
Function : 4P4T