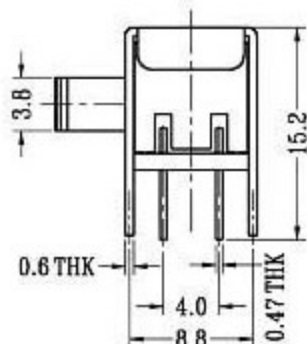
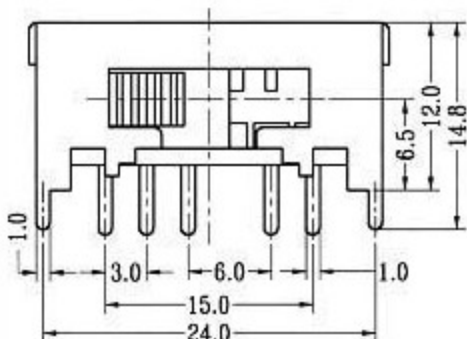
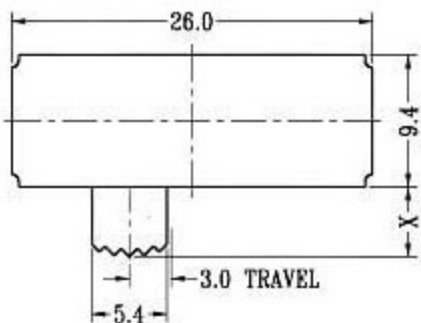


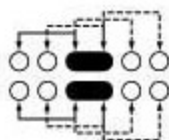
## SK-24F01 (L3R2)

Optional knob type

GE	MX	AY	NT		



**CIRCUIT DIAGRAM**



**SPECIFICATIONS**

**SHORTING**

Rating : 0.3A 50V DC

Function : 2P4T