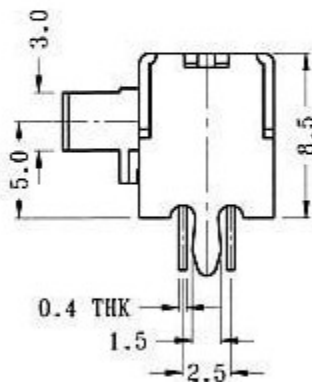
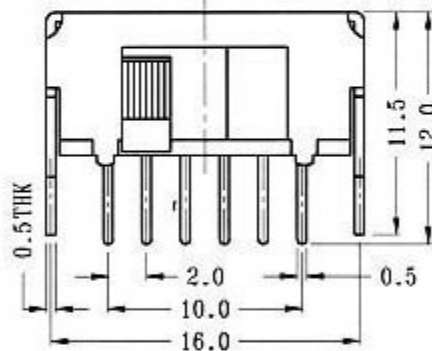
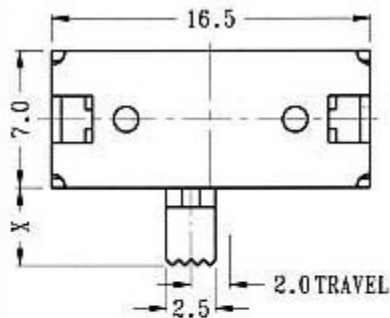


SK-24D03

Optional knob type

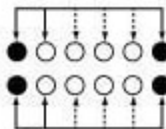
GE					



CIRCUIT DIAGRAM

SPECIFICATIONS

NON-SHORTING



Rating : 0.3A 50V DC

Function : 2P4T