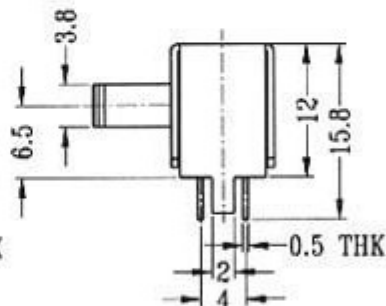
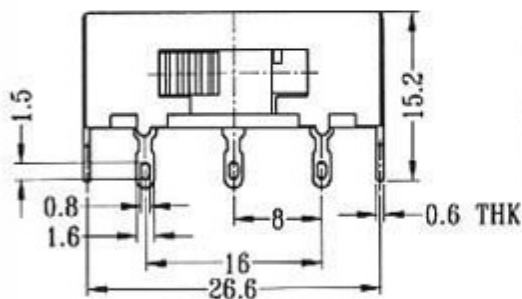
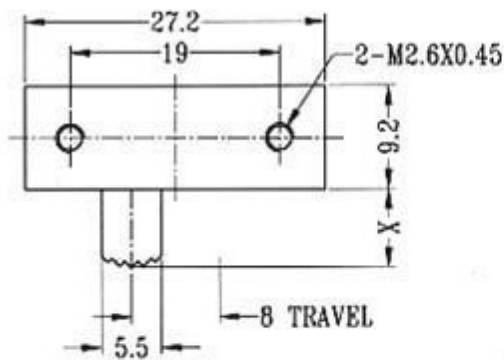


SK-22P03 (L3R1)

Optional knob type

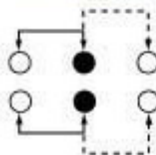
GD	TA	GE	MX		



CIRCUIT DIAGRAM

SPECIFICATIONS

⚡ SHORTING



Rating :0.3A 50V DC

Function: 2P2T