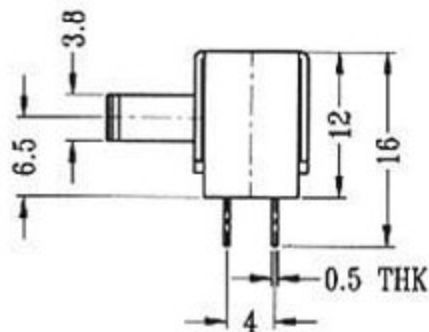
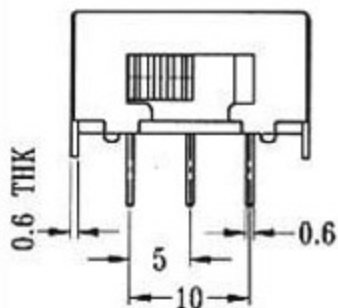
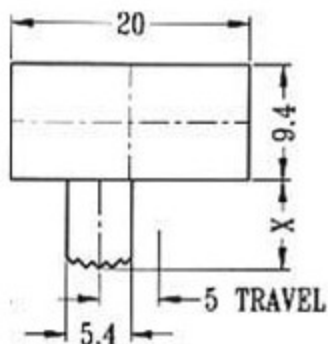


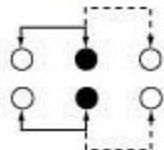
## SK-22J13

Optional knob type

MX	GD				



### CIRCUIT DIAGRAM



### SPECIFICATIONS

Rating : 0.3A 50V DC  
Function : 2P2T

**N** NON-SHORTING