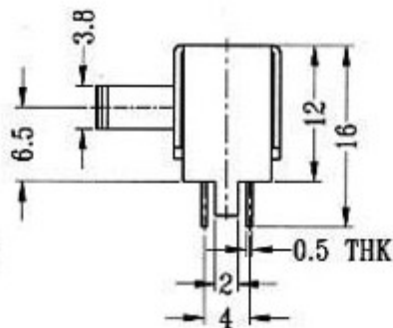
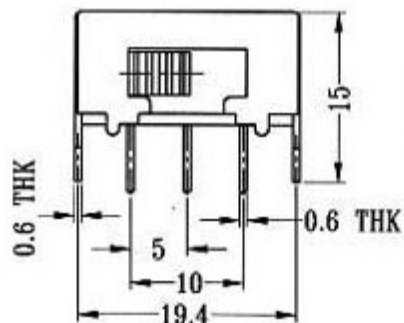
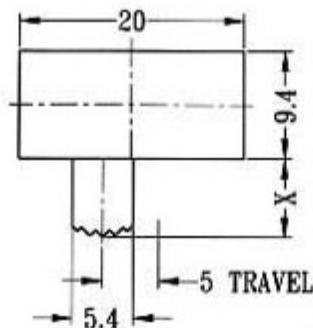


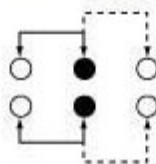
SK-22J03

Optional knob type

CD				



CIRCUIT DIAGRAM



SPECIFICATIONS

Rating : 0.3A 50V DC
Function : 2P2T

↻ SHORTING